



# EXIT LIGHT

## INSTALLATION 1



Easy installation, mounting to the ceiling or wall.

Utilizes energy saving LED

Dual Voltage 120 – 277V

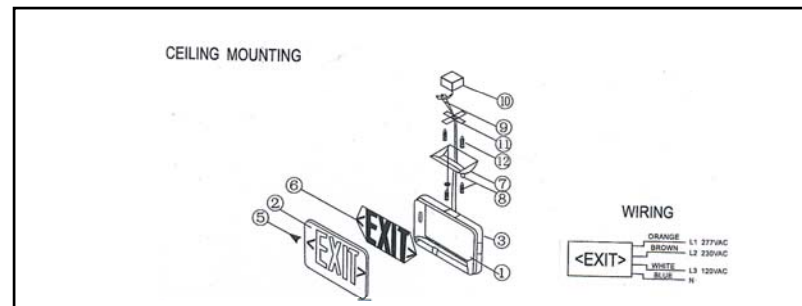
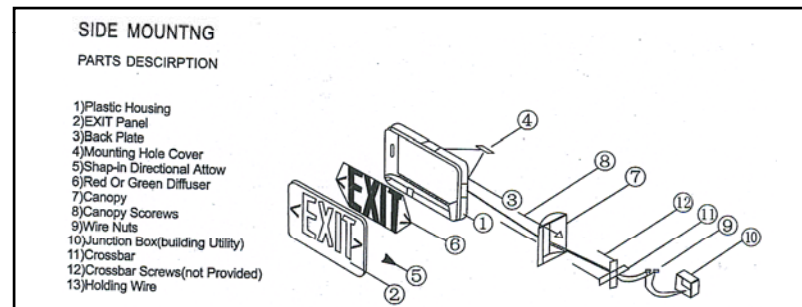
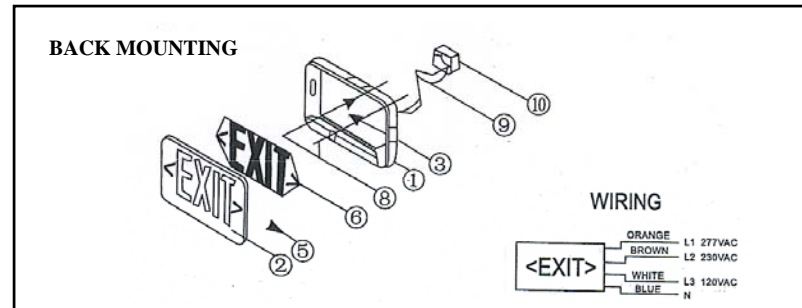
Options include a 12V 2.5hr battery back up

Available in GREEN lettering

### ORDERING INFORMATION

<b>FFS-EXL-LED</b>	LED Exit Light without battery back up
<b>FFS-EXL-LED-BU</b>	LED Exit Light with battery back up

TYE MANUFACTURING COMPANY LIMITED  
IDC INDUSTRIAL ESTATE, FREDERICK SETTLEMENT  
CARONI, TRINIDAD, WEST INDIES  
TEL. (868) 662 1781 FAX. (868) 645 6777  
EMAIL: [sales@tyett.com](mailto:sales@tyett.com) website [www.tyett.com](http://www.tyett.com)



# EXIT LIGHT

## INSTALLATION 2

### ASSEMBLING : CANOPY + HOUSING

Insert canopy into housing at a 20 degree angle and twist quick snap is now locked firmly.

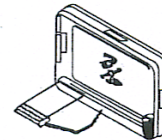


### CAUTION

Trying to canopy after it is locked in place may cause damage

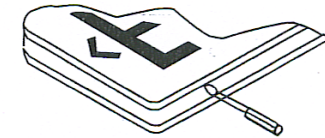
### CAUTION

Battery connector is shipped disconnected, is must be connected after installation.

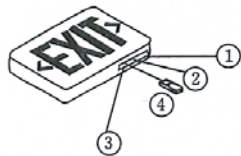


### OPENNING EXIT PANEL

When opening EXITpanel, please insert screw driver into the slots at the botton. Then push and down smoothly



### OPERATING MANUAL

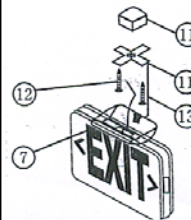


### USING REMOTE CONTROL

When using remote control EXIT SIGN must be in line of sight:

1. Manual battery test switch
2. Red LED (Indicates normal operation)
3. Remote Sensor (optional)
4. Remote controller (optional)

### USING HOLDING WIRE



⑬

Hands free holding wire supports sign during wiring.

### PARTS DESCRIPTION

- 7) Canopy
- 10) Junction box (Building utility)
- 11) Crossbar
- 12) Crossbar screws
- 13) Holding wire